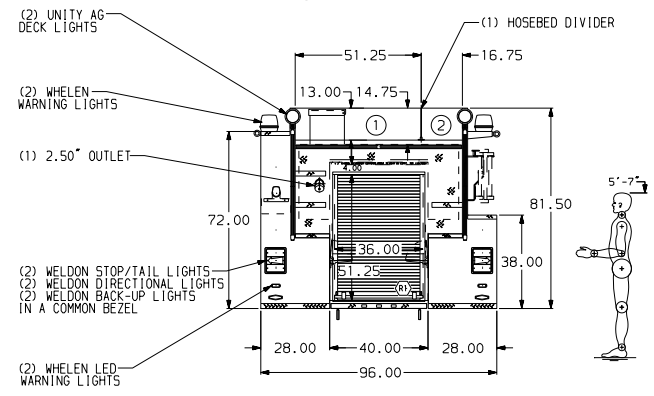
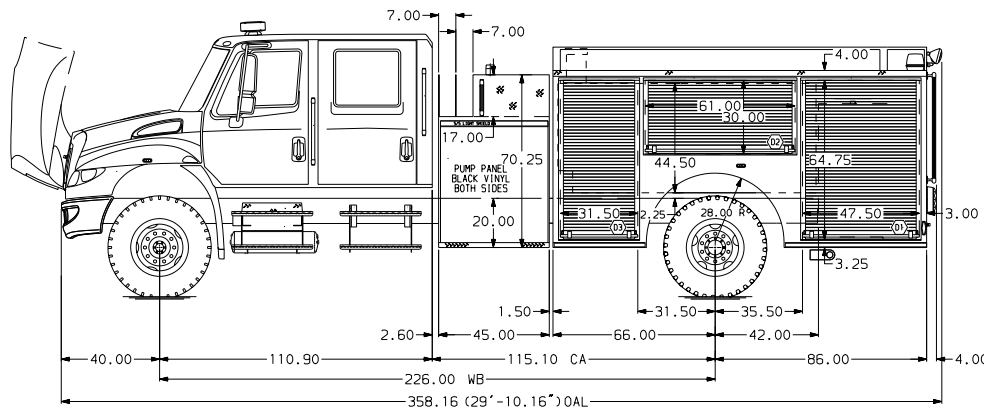


**HOSEBED CAPACITIES**

① 1500' OF 2.50" HOSE

② 400' OF 1.50" HOSE



ALUMINUM BODY

**NOTE**  
DIMENSIONS SHOWN ARE APPROXIMATE AND ARE SUBJECT TO MINOR DEVIATIONS AS MAY OCCUR OR BE NECESSARY IN CONSTRUCTION.  
MINOR DETAILS NOT SHOWN.

CONTENDER BASE MODEL-ALL REVISIONS MUST GO THRU FLORIDA ENGINEERING

<b>Pierce</b>		<b>MANUFACTURING INC.</b>		JOB NO.	7079
BRADENTON, FLORIDA				SCALE	1:24
3FE809	DTA	RLU	CHASSIS DATA	DATE	25MAY06
ED0607	DCA	KTH	TITLE	DRWN BY	A1V
BFEB07	A1V	PKU	1250-D-1000 POLY, 152 BODY, 45 SIDE CONTROL REAR OUTLET, (2) CROSSLAYS, DELUGE	CHK'D BY	DCA
28MAY06	A1V	PK2	FOR PIERCE MANUFACTURING INC. BRADENTON, FLORIDA	SHEET NO.	1 of 1
28JUN06	A1V	PK1	MODEL DRWG. NO. 4400	SHEET SIZE	D
				7079AD	