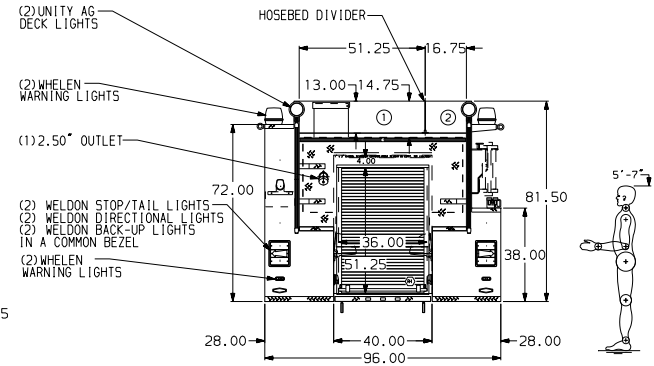
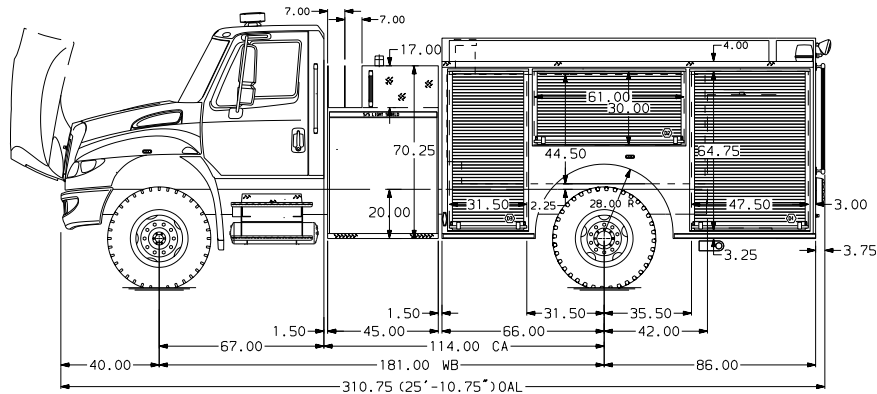


HOSEBED CAPACITIES

① 1500' OF 2.50" HOSE

② 400' OF 1.50" HOSE



ALUMINUM BODY

CONTENDER BASE MODEL-ALL REVISIONS MUST GO THRU FLORIDA ENGINEERING

NOTE  
DIMENSIONS SHOWN ARE APPROXIMATE  
AND ARE SUBJECT TO MINOR DEVIATIONS  
AS MAY OCCUR OR BE NECESSARY IN  
CONSTRUCTION.  
MINOR DETAILS NOT SHOWN.

<b>Unimetry</b>		<b>Pierce</b>		MANUFACTURING INC.		JOB NO.	7077			
				BRADENTON, FLORIDA		SCALE	1:24			
REV.	DATE	BY	CHK'D	4400	TITLE	1250-D-1000 POLY, 152 BODY, 45 SIDE CONTROL REAR OUTLET, (2) CROSSLAYS, DELUGE	DATE	25MAY06	DRAWN BY	A1V
77E897		DCA	KTH		FOR	PIERCE MANUFACTURING INC. BRADENTON, FLORIDA	25MAY06		CHK'D BY	RSA
23JUL06		A1V	PK2		MODEL				SHEET NO.	1 of 1
22JAN06		A1V	PK1		DRWG. NO.				SHEET SIZE	D
						7077AD				