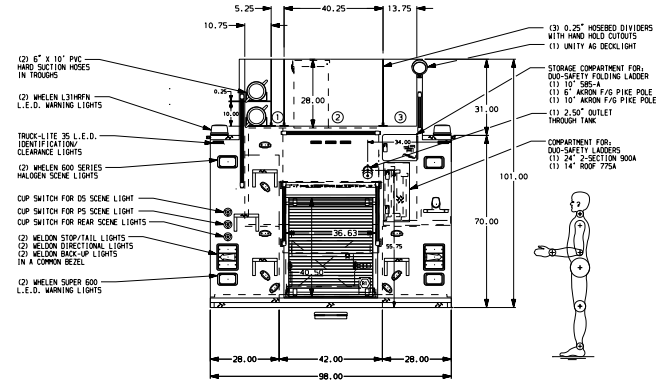
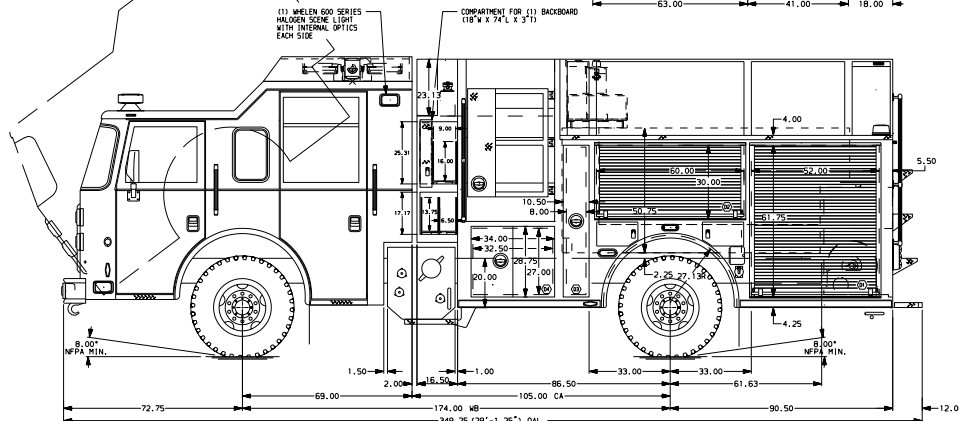


- HOSEBED CAPACITIES
- ① 200' OF 2.50\"/>



ALUMINUM BODY

NOTE
DIMENSIONS SHOWN ARE APPROXIMATE AND ARE SUBJECT TO MINOR DEVIATIONS AS MAY OCCUR OR BE NECESSARY IN CONSTRUCTION.
MINOR DETAILS NOT SHOWN.

1. AIR INLET WITH DISCONNECT COUPLING LOCATED IN DRIVER LOWER STEP WELL OF CAB
2. STEERING LOGO MOUNTS FRONT AND REAR
3. STAINLESS STEEL FENDER CROWNS FRONT AND REAR
4. BATTERY CHARGER INDICATOR LOCATED IN BEHIND DRIVER SEAT
5. BATTERY CHARGER FOR ANTENNA LOCATED PER SHOP ORDER
6. ONE FLOOR MOUNTED SLIDE-OUT TRAY IN COMPARTMENTS D1, P1 AND P2
7. ONE FLOOR MOUNTED SLIDE-OUT TRAY IN COMPARTMENT B1
8. ONE VERTICAL PARTITION IN COMPARTMENT D2
9. ONE VERTICAL PARTITION WITH BENCH ON FLOOR IN COMPARTMENTS D2, D3 AND P2
10. DRI-DECK MATTING WITH BENCH ON FLOOR IN COMPARTMENTS D2, D3 AND P2
11. DRI-DECK MATTING LOCATED ON ALL SHELVES AND TRAYS
12. ONE ADJUSTABLE SHELVING IN COMPARTMENTS D2, P1 AND P2
13. ONE HANNAY BOOSTER HOSE REEL MODEL EP32-21-22-B WITH 150' OF 1.00\"/>

CUSTOMER APPROVAL
APPROVED BY: _____
DATE: _____

Unitender Pierce MANUFACTURING INC.		JOB NO.	22699
		SCALE	1:24
		DATE	23SEP09
		DRAWN BY	SH1
		CHECKED BY	KBO
		SHEET SIZE	D
		SHEET NO.	1 of 1

CHASSIS DATA	TITLE	1500-D-1000P W/20 GAL FOAM TANK, 177\"/>		
DATE	BY	CH	CONTENDER NO.	22699AD