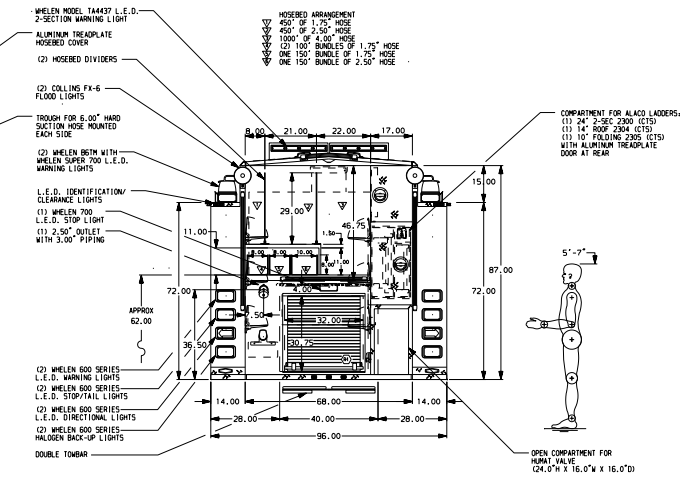
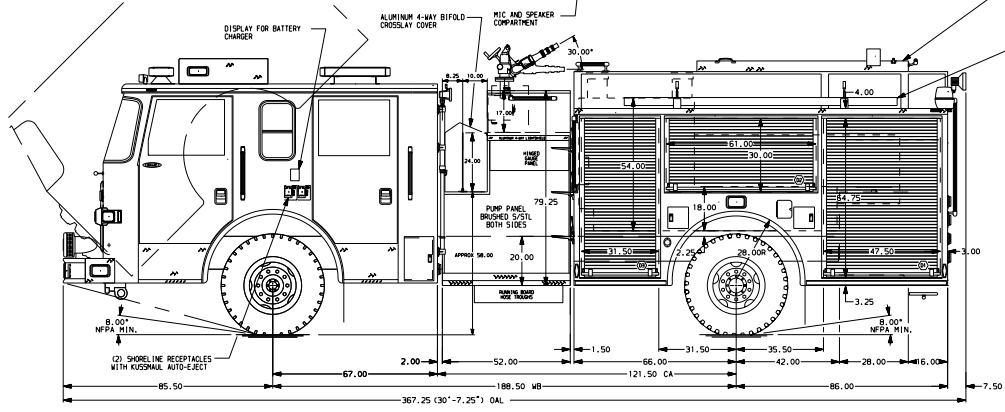
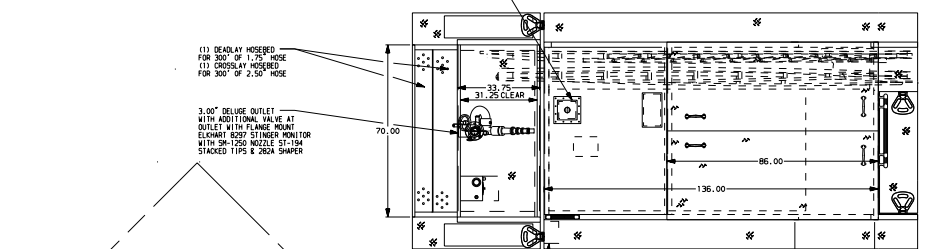
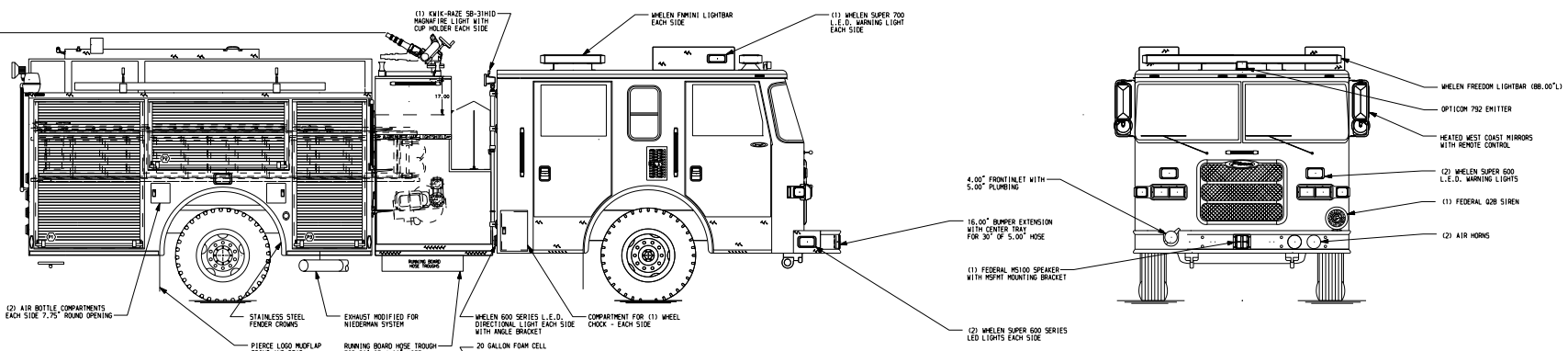


120.00
 (10' - 0")
 APPROX.
 O.A.H.



NOTE

DIMENSIONS SHOWN ARE APPROXIMATE AND ARE SUBJECT TO MINOR DEVIATIONS AS MAY OCCUR OR BE NECESSARY IN CONSTRUCTION. MINOR DETAILS NOT SHOWN.

1. S/S/L SCUFFPLATE ON EACH CAB DOOR JAMB
2. RADAR ANTENNA LOCATED PER SHOP ORDER
3. MOUNTING BASE FOR ANTENNA LOCATED PER SHOP ORDER
4. ALUMINUM TREADPLATE ON REAR 30.00\"/>

REV.		DATE	BY	CHK'D	ARROW	XT	NO.	CHASSIS DATA	TITLE	1750-D-500, 152 FULL HEIGHT BOTH SIDES, ALL ROLLUP DOORS, 20 GALLON FOAM CELL, LADDERS IN BODY	JOB NO.	19210
1	20MAY07	BZ1	TH1					CHASSIS	FOR	BELLEVUE FIRE DEPARTMENT	DATE	01,02
2	17MAY07	BZ1	TH1					CHASSIS		BELLEVUE, WASHINGTON	SCALE	1 : 24
3	20MAY07	BZ1	TH1					PIERCE			DRAWN BY	BZ1
4	14FEB07	BZ1	TH1					MODEL			CHK'D BY	TH1
											SHEET NO.	1 of 1
											SHEET SIZE	D