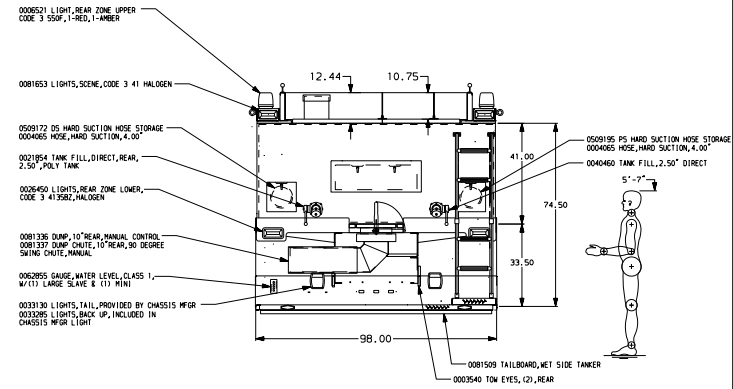
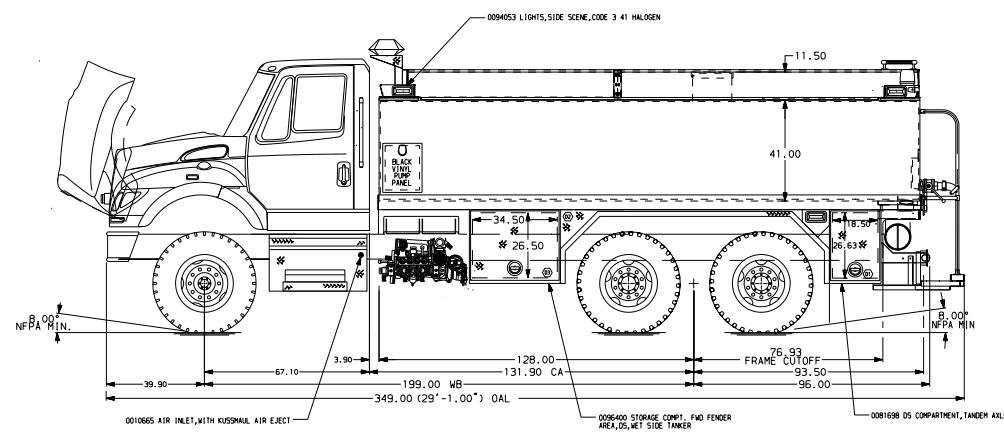
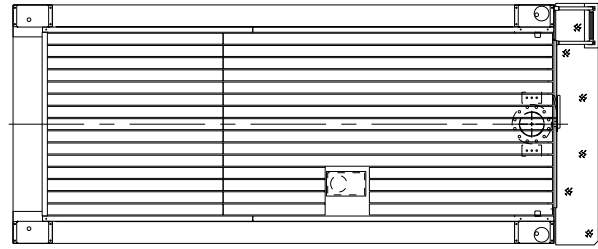
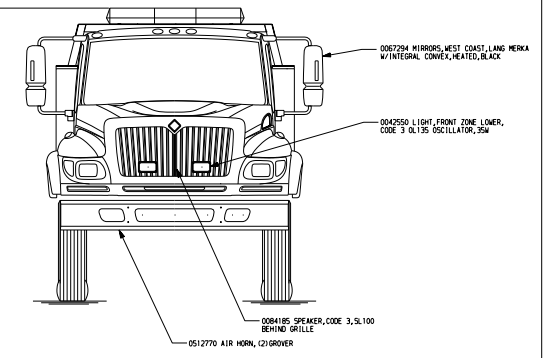


122.00
(10'-2.00")
APPROX
O.A.H.



NOTE
DIMENSIONS SHOWN ARE APPROXIMATE
AND ARE SUBJECT TO MINOR DEVIATIONS
AS MAY OCCUR OR BE NECESSARY IN
CONSTRUCTION.
MINOR DETAILS NOT SHOWN.

Landstar				Pierce		MANUFACTURING INC.		JOB NO.	19510
								SCALE	1:24
								DATE	24JAN07
								DRAWN BY	A1V
								CHECKED BY	DCA
								SHEET NO.	1 of 1
								SHEET SIZE	D
REV.	DATE	BY	CHK'D	7600	CHASSIS DATA	TITLE	500-D-3000 GALLON POLY WETSIDE TANKER, 154 BODY		
					CHASSIS	FOR	DARLEY HM 500, 500 GPM PUMP		
					1HC		HUGHES FIRE EQUIPMENT INC		
					MODEL		SPRINGFIELD, OREGON		
					DRWG. NO.		19510AD		