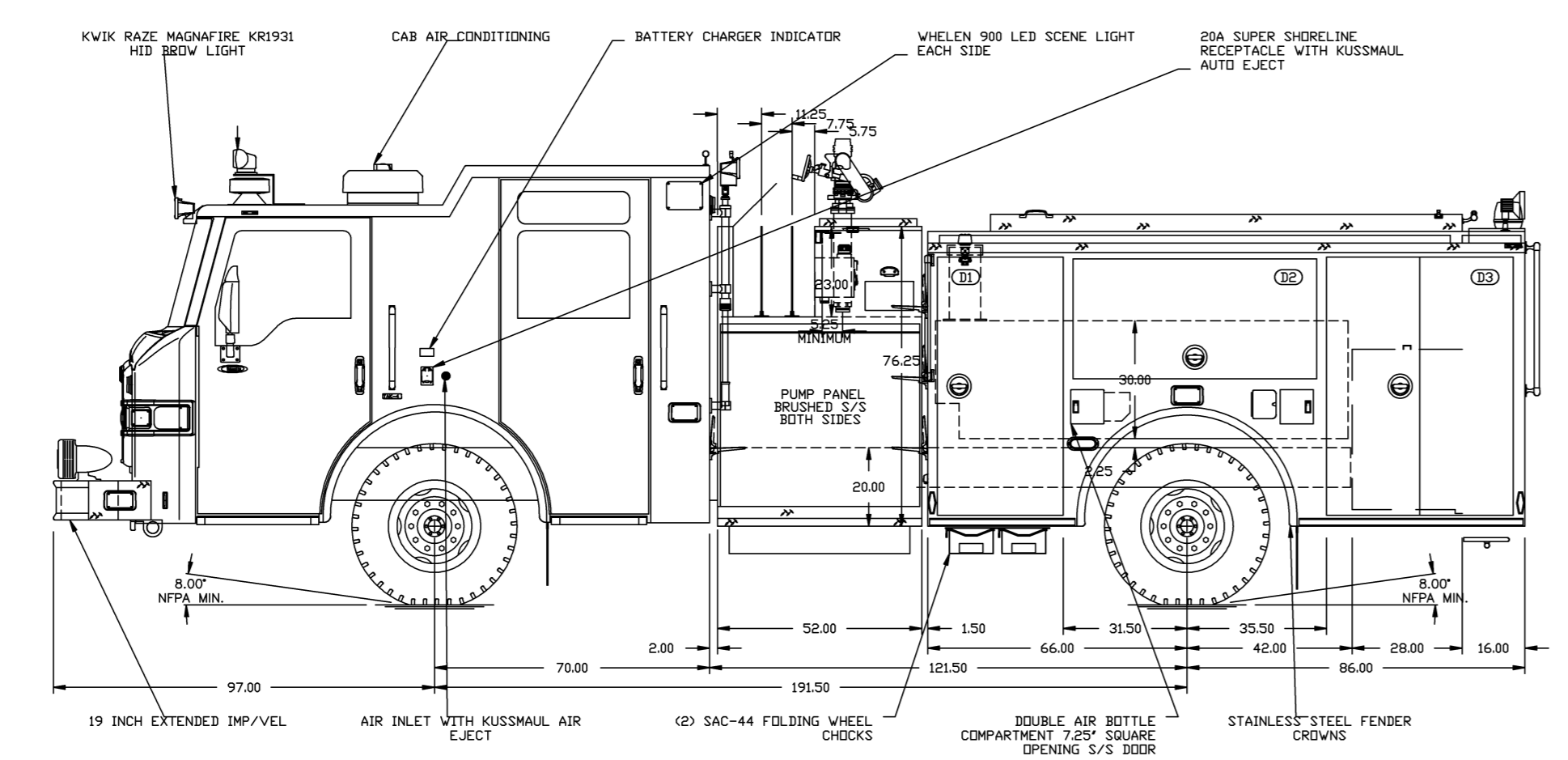
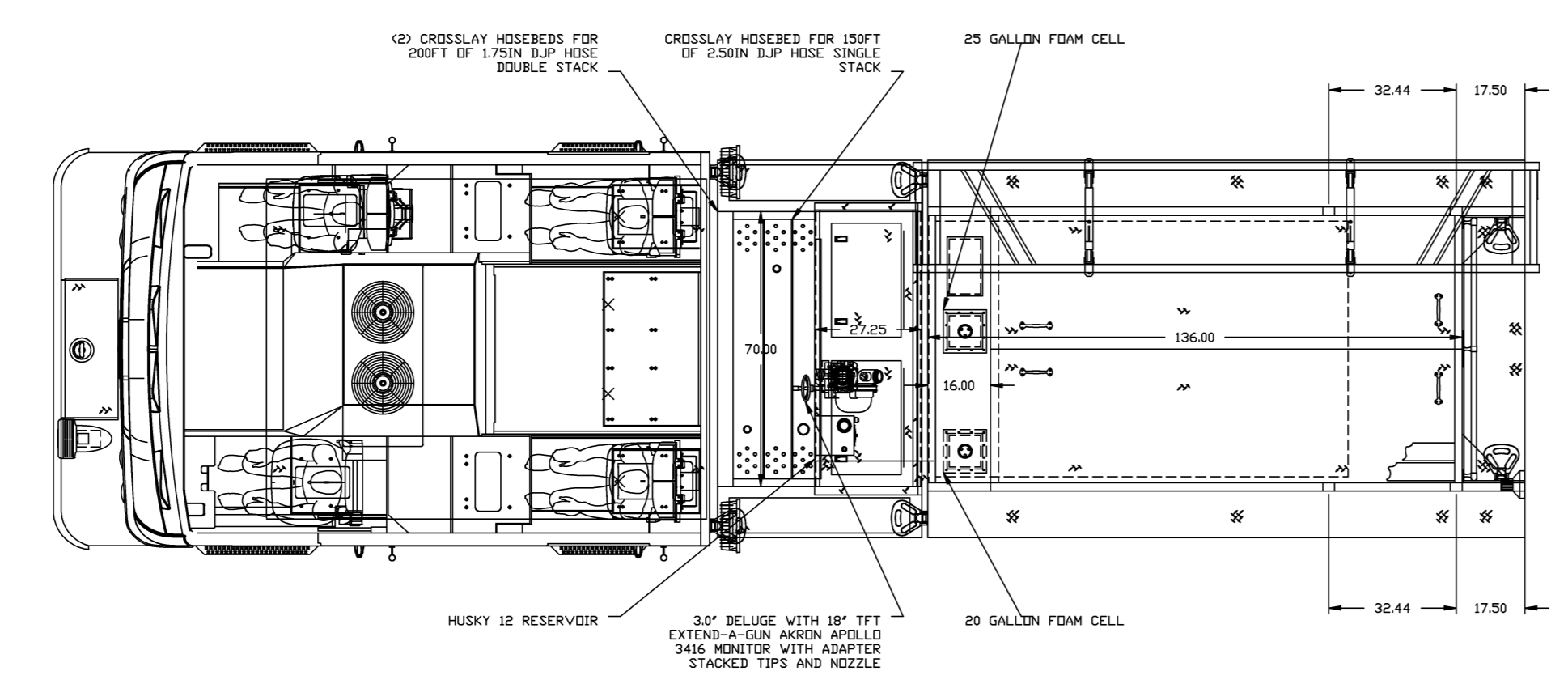
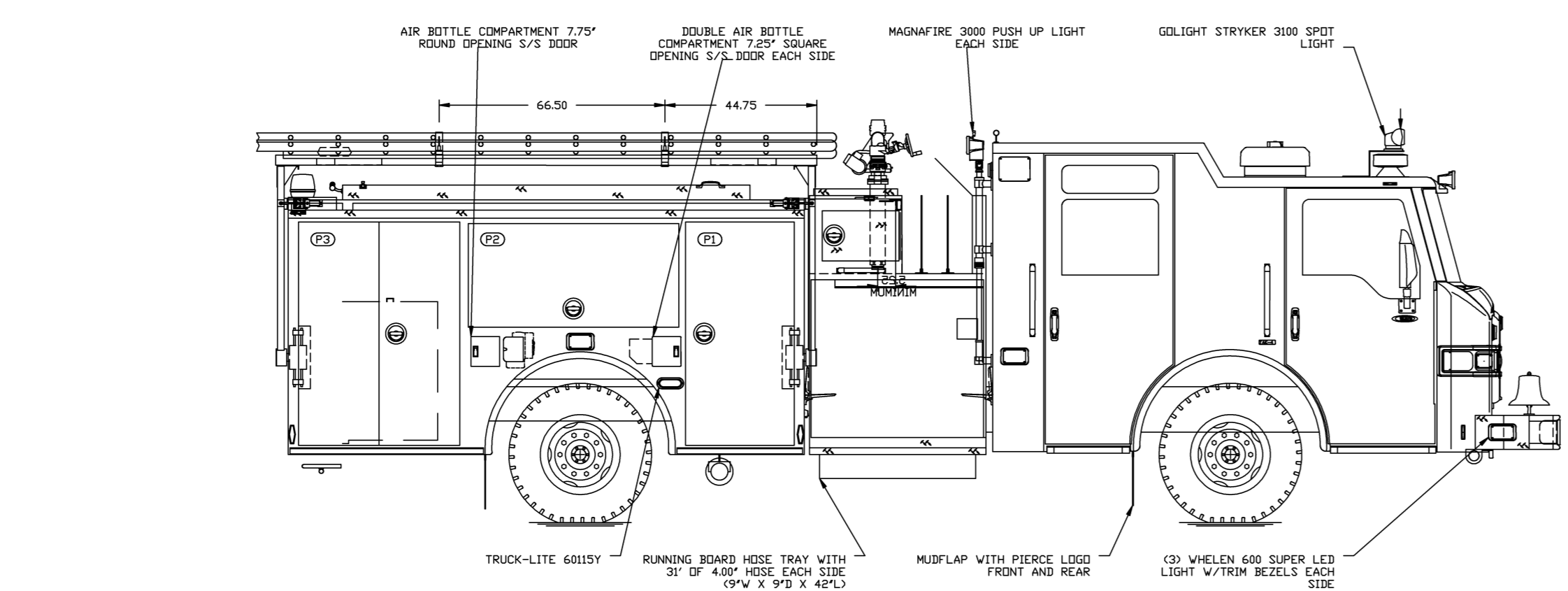


COMPARTMENT D3 CLEAR DOOR WIDTH = 43.00 HEIGHT = 63.00 CUBIC FEET = 8196 FRAME TO FRAME = 47.50x64.75H INCANDESCENT, MOUNTED HIGH, LOW MOUNTED, POLISHED 3/16" ON BOTTOM OF DOOR FRAME 200000 LIGHT COMPARTMENT, WHELEN 500 LED FLASHING INTERIOR PUMP LIGHTS, 12V, 150 WATT, 12V, 150 WATT 1000000 SHELF TRACK WITHOUT SHELF OR TRAY 1000000 MATTING, TURTLE TILE, ON FLOOR, TRAY, OR SHELF (4)	COMPARTMENT D2 CLEAR DOOR WIDTH = 59.00 HEIGHT = 67.00 CUBIC FEET = 4538 FRAME TO FRAME = 48.00x60.00H INCANDESCENT, MOUNTED HIGH, LOW MOUNTED, POLISHED 3/16" ON BOTTOM OF DOOR FRAME 200000 LIGHT COMPARTMENT, WHELEN 500 LED FLASHING INTERIOR PUMP LIGHTS, 12V, 150 WATT, 12V, 150 WATT 1000000 SHELF TRACK WITHOUT SHELF OR TRAY 1000000 MATTING, TURTLE TILE, ON FLOOR, TRAY, OR SHELF (4)	COMPARTMENT D1 CLEAR DOOR WIDTH = 29.75 HEIGHT = 63.00 CUBIC FEET = 4241 FRAME TO FRAME = 31.50x64.75H INCANDESCENT, MOUNTED HIGH, LOW MOUNTED, POLISHED 3/16" ON BOTTOM OF DOOR FRAME 200000 SHELF TRACK WITHOUT SHELF OR TRAY 1000000 MATTING, TURTLE TILE, ON FLOOR, TRAY, OR SHELF (4)
---	---	---



COMPARTMENT D1 CLEAR DOOR WIDTH = 29.75 HEIGHT = 63.00 CUBIC FEET = 4241 FRAME TO FRAME = 31.50x64.75H INCANDESCENT, MOUNTED HIGH, LOW MOUNTED, POLISHED 3/16" ON BOTTOM OF DOOR FRAME 200000 SHELF TRACK WITHOUT SHELF OR TRAY 1000000 MATTING, TURTLE TILE, ON FLOOR, TRAY, OR SHELF (4)	COMPARTMENT D2 CLEAR DOOR WIDTH = 59.00 HEIGHT = 67.00 CUBIC FEET = 4538 FRAME TO FRAME = 48.00x60.00H INCANDESCENT, MOUNTED HIGH, LOW MOUNTED, POLISHED 3/16" ON BOTTOM OF DOOR FRAME 200000 LIGHT COMPARTMENT, WHELEN 500 LED FLASHING INTERIOR PUMP LIGHTS, 12V, 150 WATT, 12V, 150 WATT 1000000 SHELF TRACK WITHOUT SHELF OR TRAY 1000000 MATTING, TURTLE TILE, ON FLOOR, TRAY, OR SHELF (4)	COMPARTMENT D3 CLEAR DOOR WIDTH = 43.00 HEIGHT = 63.00 CUBIC FEET = 8196 FRAME TO FRAME = 47.50x64.75H INCANDESCENT, MOUNTED HIGH, LOW MOUNTED, POLISHED 3/16" ON BOTTOM OF DOOR FRAME 200000 LIGHT COMPARTMENT, WHELEN 500 LED FLASHING INTERIOR PUMP LIGHTS, 12V, 150 WATT, 12V, 150 WATT 1000000 SHELF TRACK WITHOUT SHELF OR TRAY 1000000 MATTING, TURTLE TILE, ON FLOOR, TRAY, OR SHELF (4)
---	---	---

NOTES: 1. AIR OUTLET LOCATED ON DS AND PS PUMP PANEL  
2. FRONTAL IMPACT PROTECTION REQUIRED

BODY MATERIAL = ALUMINUM  
SIDE SHEET HEIGHT = 75.00  
TOTAL COMPARTMENT CUBIC FEET = 159.88  
TOTAL TANK SIZE = 573  
WATER VOL = 500  
FOAM VOL CLASS A = 20  
FOAM VOL CLASS B = 25

ESTIMATED OAH = 116.0  
CUSTOMER OAH = 125.0  
ESTIMATED OAL = 384.0  
CUSTOMER OAL = 390.0  
WHEELBASE = 191.50  
HOSEBED DEPTH = 21.00  
SIDE ROLL PROTECTION, IMP/VEL

DO NOT SCALE DRAWING.  
DIMENSIONS SHOWN ARE APPROXIMATE AND ARE SUBJECT TO CHANGE AS MAY BE NECESSARY DURING CONSTRUCTION.  
SOME DETAILS NOT SHOWN.

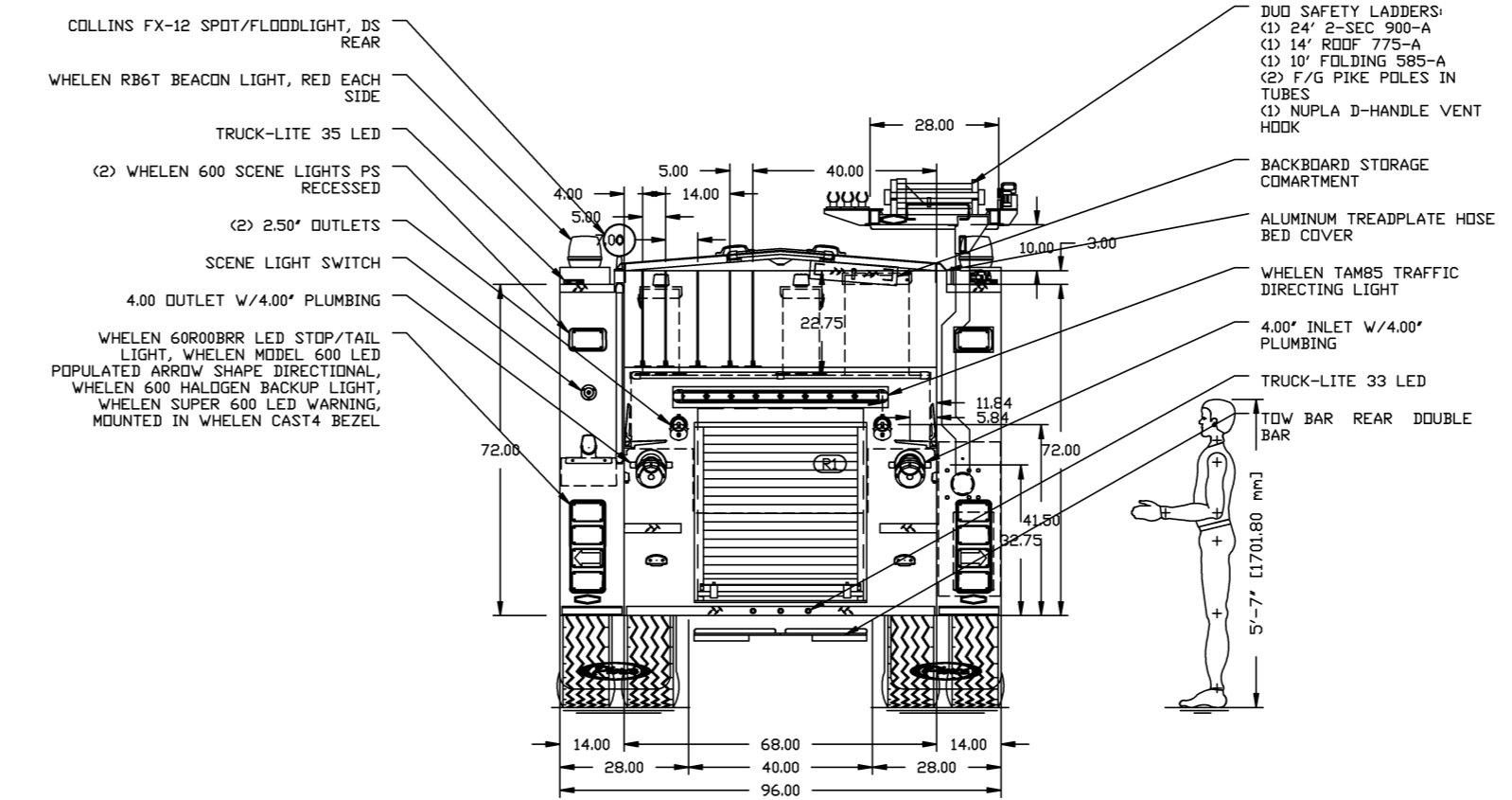
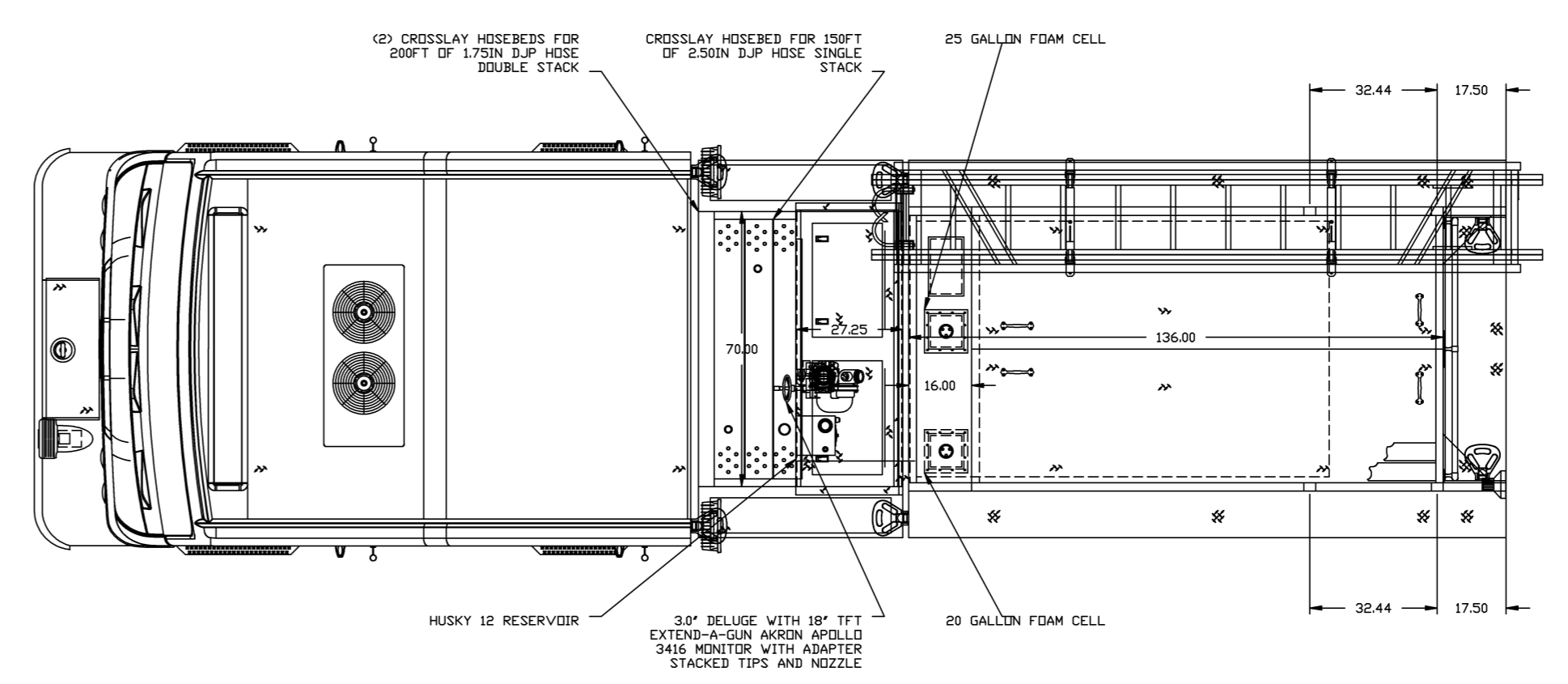
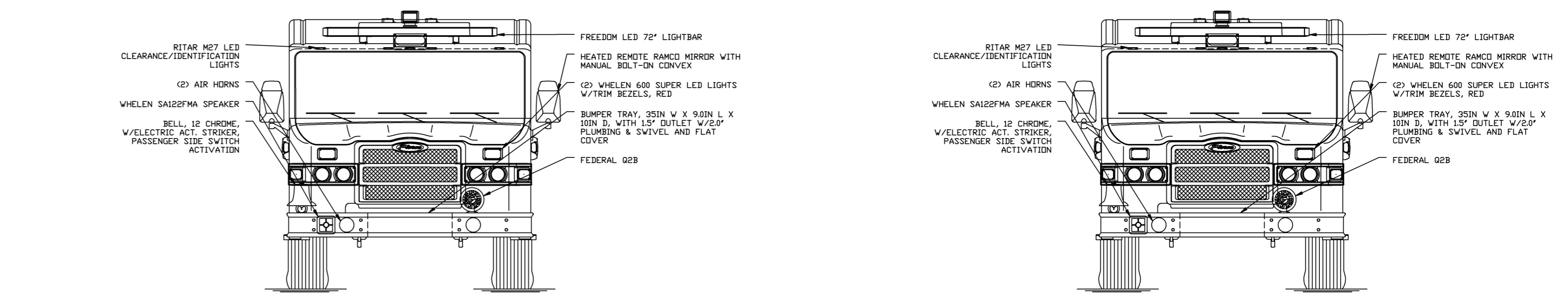


DRAWN BY BZ1 11/29/07  
DATE 11/27/2007  
CONFIG VER 551  
DWG CHG VER 276  
SOFTWARE VER 01.08.0160  
DWG DATA VER

CHASSIS MAKE PIERCE  
CHASSIS MODEL VEL7010  
BODY MODEL PMPR-MEDIUM

MERCER ISLAND FIRE DEPARTMENT  
OPPORTUNITY TRIPLE COMBINATION PUMPER  
CONFIGURATION VELOCITY PUMPER 1500-D-500 152  
JOB/CONFIG NUMBER 20061

SCALE 1:40  
SHEET SIZE D  
NO. OF UNITS 2  
SHEET NO. 1 OF 1



HOSE LEGEND	
HOSEWAY 1\"/>	1.75\"/>
HOSEWAY 2\"/>	1.75\"/>
HOSEWAY 3\"/>	1.75\"/>
HOSEWAY 4\"/>	1.75\"/>
HOSEWAY 5\"/>	1.75\"/>
HOSEWAY 6\"/>	1.75\"/>
HOSEWAY 7\"/>	1.75\"/>
HOSEWAY 8\"/>	1.75\"/>
HOSEWAY 9\"/>	1.75\"/>
HOSEWAY 10\"/>	1.75\"/>
HOSEWAY 11\"/>	1.75\"/>
HOSEWAY 12\"/>	1.75\"/>
HOSEWAY 13\"/>	1.75\"/>
HOSEWAY 14\"/>	1.75\"/>
HOSEWAY 15\"/>	1.75\"/>
HOSEWAY 16\"/>	1.75\"/>
HOSEWAY 17\"/>	1.75\"/>
HOSEWAY 18\"/>	1.75\"/>
HOSEWAY 19\"/>	1.75\"/>
HOSEWAY 20\"/>	1.75\"/>
HOSEWAY 21\"/>	1.75\"/>
HOSEWAY 22\"/>	1.75\"/>
HOSEWAY 23\"/>	1.75\"/>
HOSEWAY 24\"/>	1.75\"/>
HOSEWAY 25\"/>	1.75\"/>
HOSEWAY 26\"/>	1.75\"/>
HOSEWAY 27\"/>	1.75\"/>
HOSEWAY 28\"/>	1.75\"/>
HOSEWAY 29\"/>	1.75\"/>
HOSEWAY 30\"/>	1.75\"/>
HOSEWAY 31\"/>	1.75\"/>
HOSEWAY 32\"/>	1.75\"/>
HOSEWAY 33\"/>	1.75\"/>
HOSEWAY 34\"/>	1.75\"/>
HOSEWAY 35\"/>	1.75\"/>
HOSEWAY 36\"/>	1.75\"/>
HOSEWAY 37\"/>	1.75\"/>
HOSEWAY 38\"/>	1.75\"/>
HOSEWAY 39\"/>	1.75\"/>
HOSEWAY 40\"/>	1.75\"/>
HOSEWAY 41\"/>	1.75\"/>
HOSEWAY 42\"/>	1.75\"/>
HOSEWAY 43\"/>	1.75\"/>
HOSEWAY 44\"/>	1.75\"/>
HOSEWAY 45\"/>	1.75\"/>
HOSEWAY 46\"/>	1.75\"/>
HOSEWAY 47\"/>	1.75\"/>
HOSEWAY 48\"/>	1.75\"/>
HOSEWAY 49\"/>	1.75\"/>
HOSEWAY 50\"/>	1.75\"/>
HOSEWAY 51\"/>	1.75\"/>
HOSEWAY 52\"/>	1.75\"/>
HOSEWAY 53\"/>	1.75\"/>
HOSEWAY 54\"/>	1.75\"/>
HOSEWAY 55\"/>	1.75\"/>
HOSEWAY 56\"/>	1.75\"/>
HOSEWAY 57\"/>	1.75\"/>
HOSEWAY 58\"/>	1.75\"/>
HOSEWAY 59\"/>	1.75\"/>
HOSEWAY 60\"/>	1.75\"/>
HOSEWAY 61\"/>	1.75\"/>
HOSEWAY 62\"/>	1.75\"/>
HOSEWAY 63\"/>	1.75\"/>
HOSEWAY 64\"/>	1.75\"/>
HOSEWAY 65\"/>	1.75\"/>
HOSEWAY 66\"/>	1.75\"/>
HOSEWAY 67\"/>	1.75\"/>
HOSEWAY 68\"/>	1.75\"/>
HOSEWAY 69\"/>	1.75\"/>
HOSEWAY 70\"/>	1.75\"/>
HOSEWAY 71\"/>	1.75\"/>
HOSEWAY 72\"/>	1.75\"/>
HOSEWAY 73\"/>	1.75\"/>
HOSEWAY 74\"/>	1.75\"/>
HOSEWAY 75\"/>	1.75\"/>
HOSEWAY 76\"/>	1.75\"/>
HOSEWAY 77\"/>	1.75\"/>
HOSEWAY 78\"/>	1.75\"/>
HOSEWAY 79\"/>	1.75\"/>
HOSEWAY 80\"/>	1.75\"/>
HOSEWAY 81\"/>	1.75\"/>
HOSEWAY 82\"/>	1.75\"/>
HOSEWAY 83\"/>	1.75\"/>
HOSEWAY 84\"/>	1.75\"/>
HOSEWAY 85\"/>	1.75\"/>
HOSEWAY 86\"/>	1.75\"/>
HOSEWAY 87\"/>	1.75\"/>
HOSEWAY 88\"/>	1.75\"/>
HOSEWAY 89\"/>	1.75\"/>
HOSEWAY 90\"/>	1.75\"/>
HOSEWAY 91\"/>	1.75\"/>
HOSEWAY 92\"/>	1.75\"/>
HOSEWAY 93\"/>	1.75\"/>
HOSEWAY 94\"/>	1.75\"/>
HOSEWAY 95\"/>	1.75\"/>
HOSEWAY 96\"/>	1.75\"/>
HOSEWAY 97\"/>	1.75\"/>
HOSEWAY 98\"/>	1.75\"/>
HOSEWAY 99\"/>	1.75\"/>
HOSEWAY 100\"/>	1.75\"/>