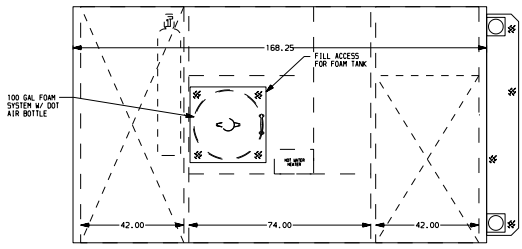
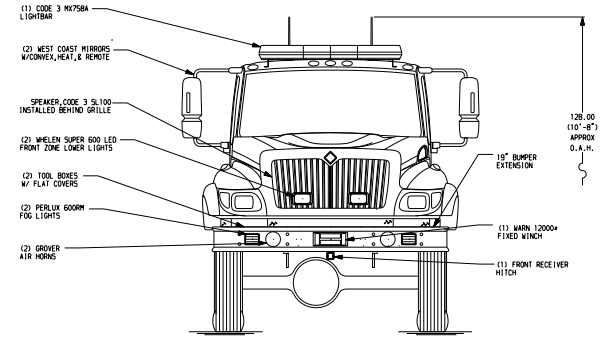
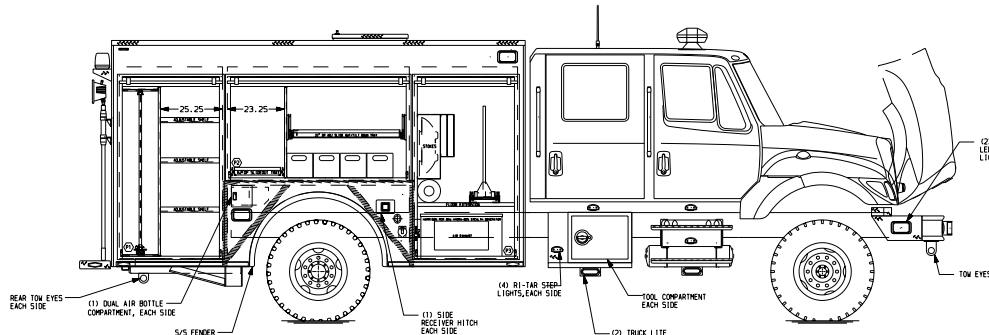


**PASSENGER'S SIDE COMPARTMENTS CONTAIN THE FOLLOWING:**

- COMPARTMENT P1 CONTAINS:**
- (1) VERTICAL PARTITION
  - (2) SLIDE OUT ADJ TOOLBOARD
  - (3) ADJ. SHELVES
  - (4) VERTICAL DIVIDER
- COMPARTMENT P2 CONTAINS:**
- (1) ADJ. SLIDE OUT TILT/DOWN TRAY
  - (2) VERTICAL PARTITION
  - (3) POLY BOXES
  - (4) 60" DP SLIDEOUT TRAY
- COMPARTMENT P3 CONTAINS:**
- (1) FLOOR EXTENSION
  - (2) 60" DP ADJ TOOLBOARD
  - (3) BACKBOARD RACKS
  - (4) STORAGE RACK
  - (5) CAPS AIR BOTTLE
  - (6) HANDBURN W/800 WATT HYDRA-GENERATOR



**REAR COMPARTMENT CONTAINS THE FOLLOWING:**

- (1) FLOOR MOUNTED TRAY
- (2) HYDRAULIC HOSE REELS W/ 100' OF HOSE
- (3) MOUNTING BRACKET FOR HYDRAULIC POWER SUPPLY
- (4) ELECTRIC REEL
- (5) MOUNTING BRACKET FOR HYDRAULIC SPEAKER
- (6) MOUNTING BRACKET FOR HYDRAULIC CUTTER
- (7) POLY TRAY

**DRIVER'S SIDE COMPARTMENTS CONTAIN THE FOLLOWING:**

**COMPARTMENT D1 CONTAINS:**

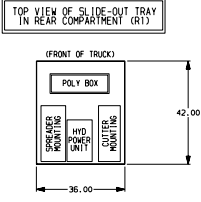
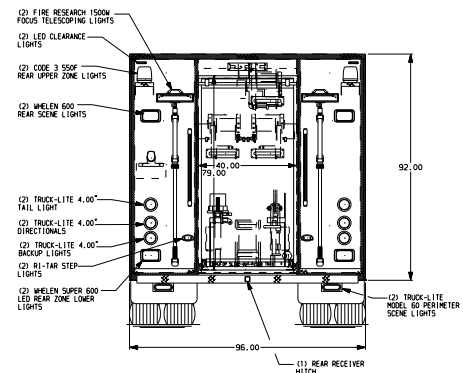
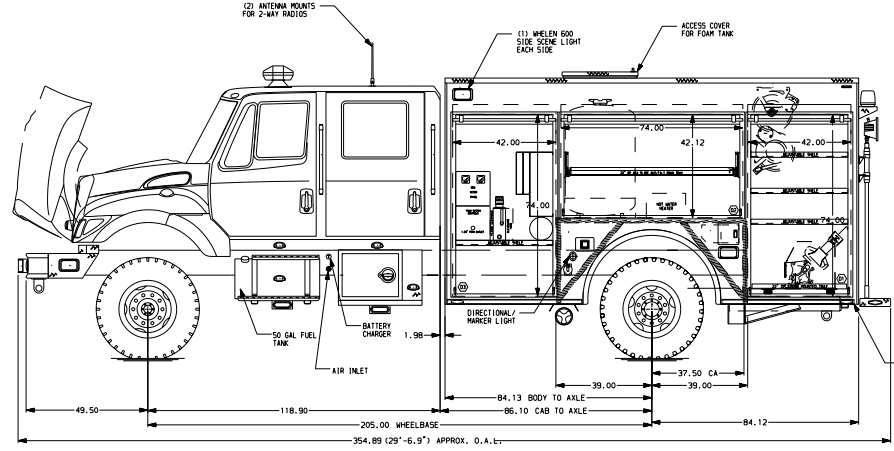
- (1) ADJ. SHELVES
- (2) FLOOR MOUNTED SLIDEOUT TRAY

**COMPARTMENT D2 CONTAINS:**

- (1) ADJ. SLIDE OUT TILT/DOWN TRAY

**COMPARTMENT D3 CONTAINS:**

- (1) FOAM SYSTEM CONTROLS
- (2) 1.50" O.D. INLET W/ 2.00" PLUMBING
- (3) FOAM SYSTEM CONTROL PANEL
- (4) HYD. RESERVOIR FOR GENERATOR



CUSTOMER APPROVAL				JOB NO.	20687
APPROVED BY:				SCALE	
DATE:				1 : 24	
DATE:				DATE	
CHASSIS DATA				DRAWN BY	
ENCORE RESCUE VEHICLE				EWH	
42.74.42				29JAN08	
FOR KLICKITAT CO FIRE DIST #7				CHECKED BY	
KLICKITAT				TEO	
SFA 4X4				01FEB08	
7400				SHEET SIZE	
DWG NO.				D	
20687AD				SHEET NO.	
				1 of 1	

**NOTE:**  
DIMENSIONS SHOWN ARE APPROXIMATE AND ARE SUBJECT TO MINOR DEVIATIONS AS MAY OCCUR OR BE NECESSARY IN CONSTRUCTION. MINOR DETAILS NOT SHOWN.