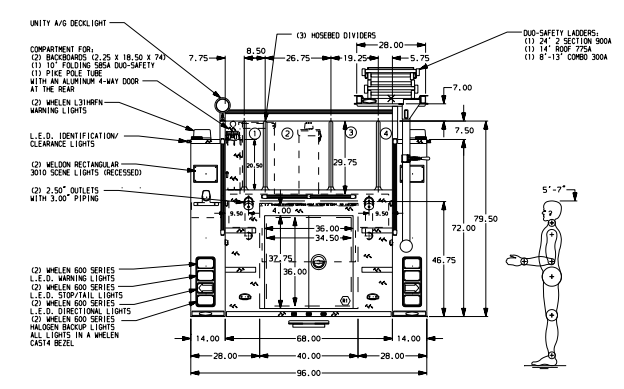
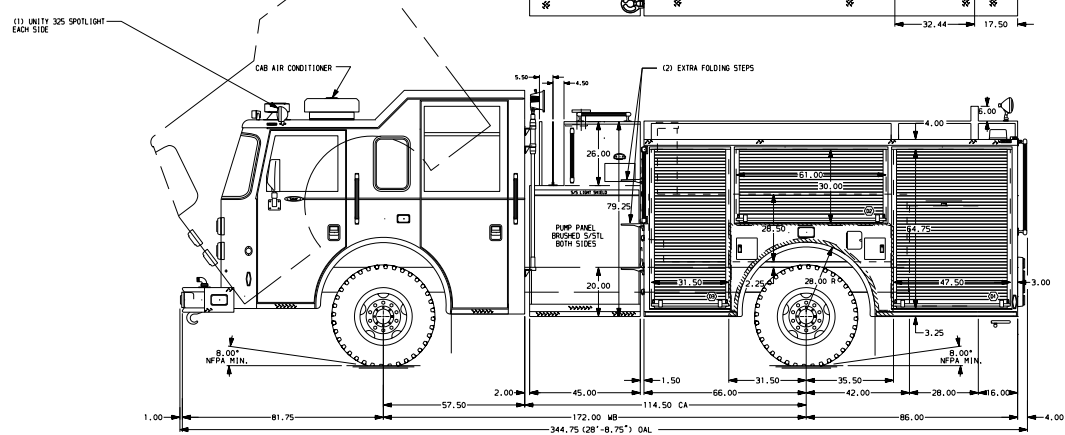


- HOSEBED CAPACITIES**
- ① 200' OF 1.50" O.J. HOSE
 - ② 100' OF 5.00" O.J. HOSE
 - ③ 800' OF 3.00" O.J. HOSE
 - ④ 200' OF 2.00" O.J. HOSE



ALUMINUM BODY

- NOTE**
- DIMENSIONS SHOWN ARE APPROXIMATE AND ARE SUBJECT TO MINOR DEVIATIONS AS MAY OCCUR OR BE NECESSARY IN CONSTRUCTION. MINOR DETAILS NOT SHOWN.
1. BATTERY CHARGING RECEPTACLE LOCATED ON THE DRIVER SIDE PUMP PANEL
 2. FORCE LOCK HOOD LATCH FRONT AND REAR
 3. ONE 20A STRAIGHT BLADE RECEPTACLE WITH COVER LOCATED IN COMPARTMENT P3
 4. ONE 5-15A PROTECTIVE GUARD FOR ROLL-UP ZIGZAG IN EACH COMPARTMENT
 5. ONE FLOOR MOUNTED SLIDE-OUT TRAY IN COMPARTMENT P1
 6. ONE ADJUSTABLE SHELF IN COMPARTMENT P1, TWO IN O.J., O3, THREE IN P3
 7. HOT WATER HEATER IN PUMP COMPARTMENT
 8. L.E.D. PROBE/SCENE LIGHTS LOCATED PER SHOP ORDER
 9. CIRCUIT BREAKER PANEL IN COMPARTMENT O3
 10. AIR INLET WITH KISSMAIL AIR-FILTER LOCATED ON O.S. PUMP PANEL
 11. STAINLESS STEEL FENDER CROWNS FRONT AND REAR
 12. ONE PERMANENT SHELF MOUNTED IN COMPARTMENT P1
 13. ONE 500W ADJUSTABLE SHELF IN COMPARTMENT P1

CUSTOMER APPROVAL				JOB NO. 23216	
APPROVED BY:				SCALE 1:24	
DATE:				DATE	
CHASSIS DATA				DRAWN BY: MEO	
TITLE 1250-D-500, 25 GAL FOAM CELL, 152" MEDIUM BODY (2) X-LAYS, HYD LADDER RACK, SIDE CONTROL				CHECKED BY: KBO	
FOR MISSOULA FIRE DEPARTMENT				12FEB10	
MISSOULA, MONTANA				SHEET SIZE	
DWG NO. 23216AD				SHEET NO. 1 of 1	
REV	DATE	BY	CH	SABER	